

# CONCEALED AUTOMATIC SEAL FOR METAL DOORS



## RP144Si



A concealed, automatic door bottom seal to suit medium temperature smoke and energy door seal applications.

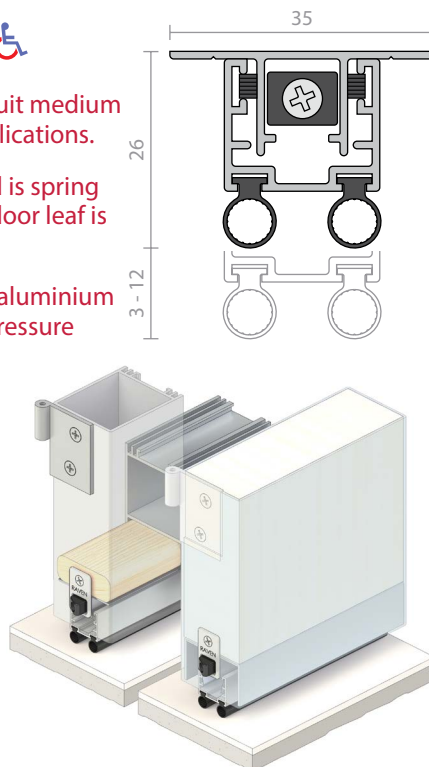
RP144Si features twin silicon bulb gaskets and is spring loaded to lift clear of the floor as soon as the door leaf is opened by a few millimetres.

Mounted into metal clad and hollow channel aluminium doors. The seal is operated automatically by pressure against the door jamb on its adjustable strike block.

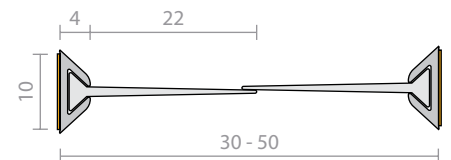
### Key Features

- Concealed screw fix for a neat finish
- 15µm satin clear anodised aluminium
- Seals gaps up to 12mm
- Available in 920mm, 1220mm and 1350mm lengths. Seals cut back to nearest unit size.

Available mid September 2019

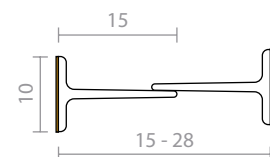


## RP43Si



A medium temperature smoke seal that is designed to suit automatic sliding door operated, frameless glass and metal frame doors.

## RP105



A weather and energy seal that is designed to suit automatic sliding door operated, frameless glass and metal frame doors.