

RP122



An effective fire, smoke and acoustic seal designed for double action fire doors. With concealed fixings, the RP122 is a twin section aluminium bullnose astragal seal with an intumescent infill and silicon fin smoke seal.

Location: Meeting stiles of pairs of 47mm nominal thickness double action fire doors.

Min/Max Gap: 14mm to 16mm (prior to installation).

Finish: Satin clear (silver) anodised aluminium (15µm).

Fixing: Concealed screw fix. Zinc plated, cross recess head CSK S.T. screws supplied. Self adhesive intumescent infill.

Seal: RP3122Si. Light grey silicon rubber (SE) medium temperature smoke seal. Light grey rigid PVC case with intumescent infill.

Sizes: Available in stock lengths.

Approvals

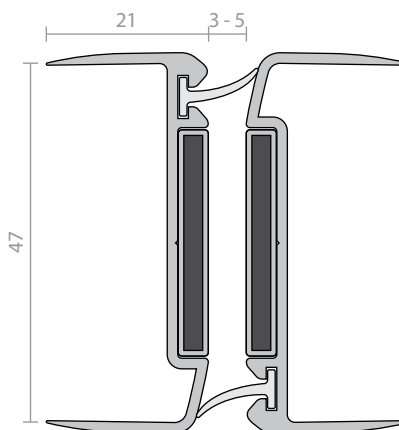
Fire AUS/NZ: NCC Spec. C3.4. AS1530.4 & AS/NZS 1905.1. NZ BC Compliance Doc. C/AS1 6.19.2 & App. C6.1.1.

UK/EU: Approved Document B. BS 476 Pt. 20 & 22 (similar to BS EN 1634-1).

FRL & FRR-/120/30 and FD120. 🔥

Smoke NCC Spec. C3.4. AS1530.7 & BS EN 1634-3. Meets smoke leakage rates specified in AS6905 & EN 13501-2 "Sa", "Sm".

Energy NCC Pt. 3.12.3.3 & J3.4.



Coming Soon