

Brush Strip Seals

Nylon Filament



RP2a



A nylon brush strip seal with an anodised aluminium carrier that mounts to the inside or outside of a door. It is ideal for sliding or double acting doors.

Can be concealed inside of an aluminium door suite bottom rail by the fabricator.

Used in conjunction with Raven threshold plates.

Location: Bottom of single, double, sliding and double acting doors. Suitable for hard, flat surfaces.

Min/Max Gap: Up to 19mm (user determined).

Finish: Satin clear (silver), bronze anodised aluminium (15µm) or paint at extra cost.

Fixing: Self adhesive or can be screw fixed. *Note: Contact surface must be clean, smooth and if painted, well cured. Self adhesive seals will not adhere to oiled or alkyd finishes or to easy clean wash and wear paint surfaces.*

Seal: Black fine, dense, UV stabilised nylon filaments.

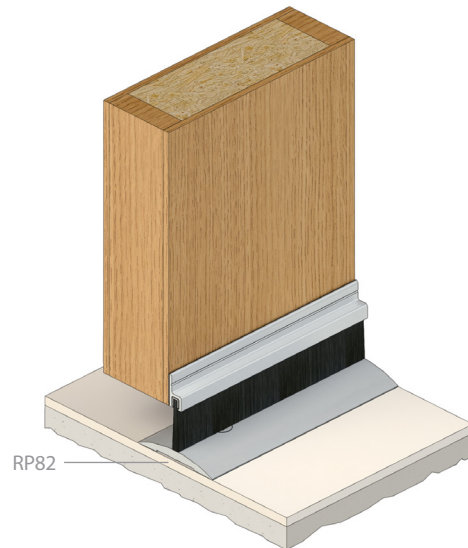
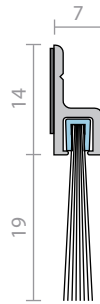
Sizes: Available in stock lengths.

Approvals

Fire Brush Strip flammability index 1 when tested to AS1530.2.

Energy NCC Pt. 3.12.3.3 & J3.4.

BAL \leq FZ when used on a garage in accordance with AS 3959.



RP2b



A nylon brush strip seal with an anodised aluminium carrier that mounts to the inside or outside of a door.

Used in conjunction with Raven threshold plates.

Location: Bottom of single, double or sliding doors. Suitable for hard, flat surfaces.

Min/Max Gap: Up to 13mm (user determined).

Finish: Satin clear (silver), bronze anodised aluminium (15µm) or paint at extra cost.

Fixing: Self adhesive or can be screw fixed. *Note: Contact surface must be clean, smooth and if painted, well cured. Self adhesive seals will not adhere to oiled or alkyd finishes or to easy clean wash and wear paint surfaces.*

Seal: Black fine, dense, UV stabilised nylon filaments.

Sizes: Available in stock lengths.

Approvals

Fire Brush Strip flammability index 1 when tested to AS1530.2.

Energy NCC Pt. 3.12.3.3 & J3.4.

BAL \leq FZ when used on a garage in accordance with AS 3959.

