

Brush Strip Seals

Nylon Filament



RP49, RP50



Versatile nylon brush strip seals with angled aluminium carriers. The RP49 has a 90 degree angle and the RP50 has a 45 degree angle.

Location:

RP49 Frame or stiles of sliding doors (user determined). Suitable for hard, flat surfaces.

RP50 Panel lift doors (user determined). Suitable for hard, flat surfaces.

Finish: Satin clear (silver), bronze anodised aluminium (15µm) or paint at extra cost.

Fixing: Self adhesive or can be screw fixed. *Note: Contact surface must be clean, smooth and if painted, well cured. Self adhesive seals will not adhere to oiled or alkylid finishes or to easy clean wash and wear paint surfaces.*

Seal: Black fine, dense, UV stabilised nylon filaments.

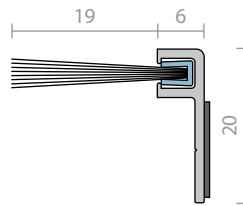
Sizes: Available in stock lengths.

Approvals

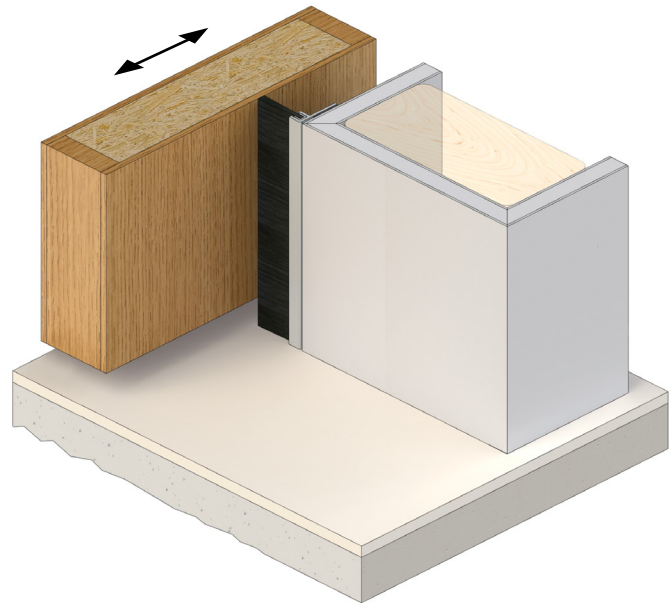
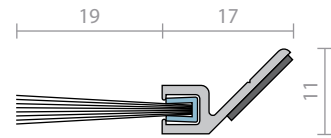
Fire Brush Strip flammability index 1 when tested to AS1530.2.

Energy NCC Pt. 3.12.3.3 & J3.4. **BAL ≤FZ** when used on a garage in accordance with AS 3959.

RP49



RP50



RP51F



RP51F is a patented brush strip seal that is ideal for sealing the head, jambs and the bottom of automatic sliding doors. The RP51F nylon brush contains an additional barrier fin which is effective in the exclusion of medium temperature smoke, noise and weather.

Location: Head, jambs and bottom of automatic sliding doors. Suitable for hard, flat surfaces.

Min/Max Gap: Up to 13mm (user determined).

Finish: Satin clear (silver) anodised aluminium (15µm) or paint at extra cost.

Fixing: Concealed screw fix. Zinc plated, cross recess head S.T. screws and cover strip supplied. Fixing holes are pre-slotted.

Seal: Black fine, dense, UV stabilised nylon filaments with a medium temperature smoke barrier fin within a galvanised spine.

Sizes: Available in stock lengths.

Approvals

Fire Brush Strip flammability index 1 when tested to AS1530.2.

Smoke NCC Spec. C3.4. AS1530.7 & BS EN 1634-3. Meets smoke leakage rates specified in AS6905 & EN 13501-2 "Sa", "Sm".

Energy NCC Pt. 3.12.3.3 & J3.4. **BAL ≤FZ** when used on a garage in accordance with AS 3959.

Innovation Patent.

