

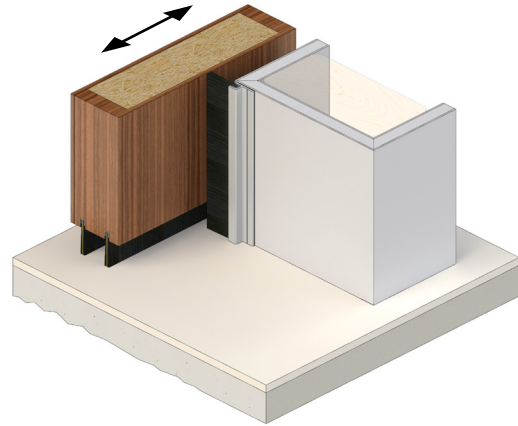


Sliding Doors

Sliding doors present many different sealing problems due to various types and configurations, from residential to industrial.

Effective seals for these applications are brush strip seals, sweep seals and threshold plates.

RP2a RP52F

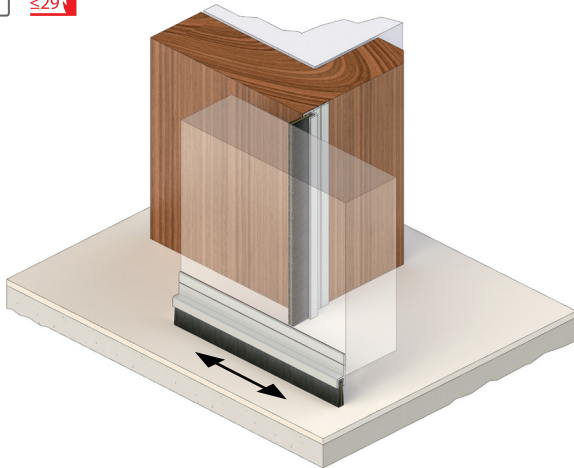


Garage Doors

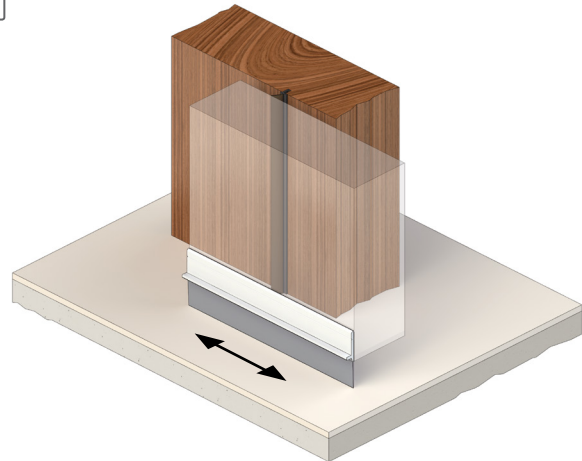
Panel-lift and roll-up garage doors present many different sealing problems due to various types and configurations, from residential to industrial.

Effective seals for these applications are brush strip seals, sweep seals and threshold plates.

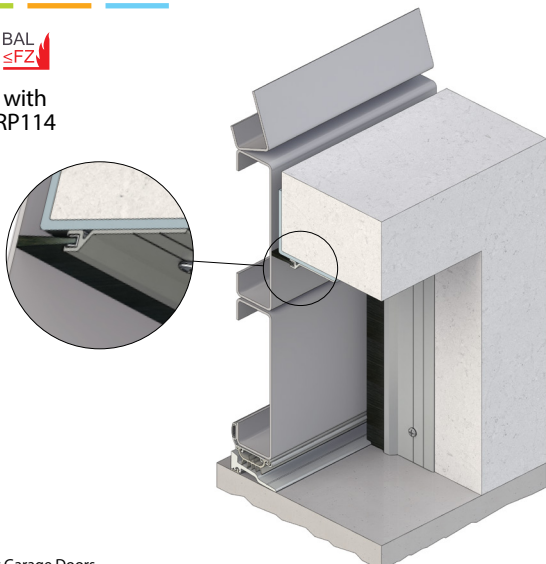
RP74F RP74F



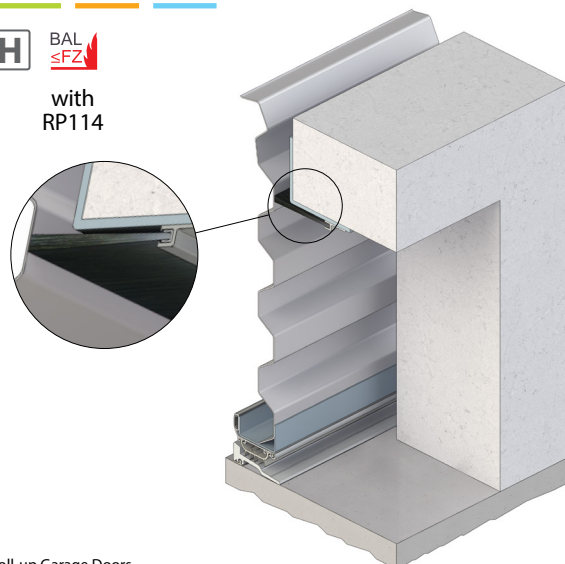
RP73 RP17b



RP41 RP4T RP91



RP57 RP4T RP91



Panel-lift Garage Doors

Roll-up Garage Doors