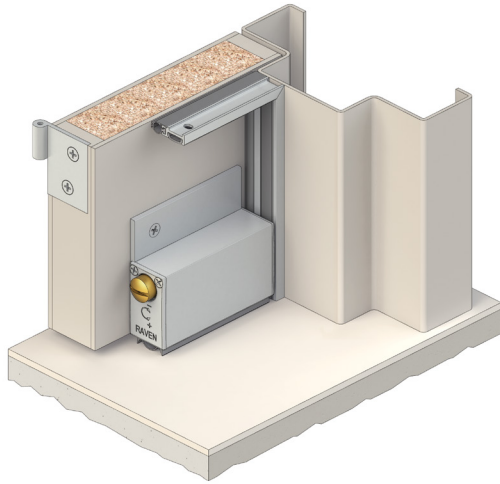


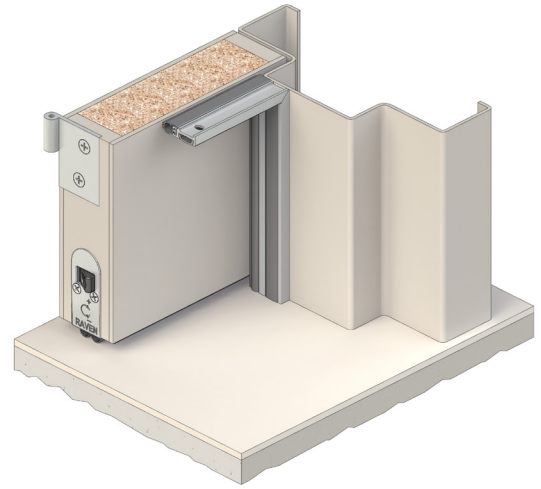
RP78Si RP38Si

M



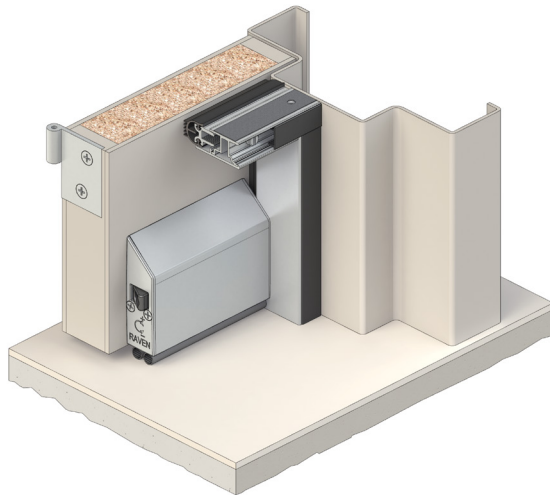
RP78Si RP127Si

M



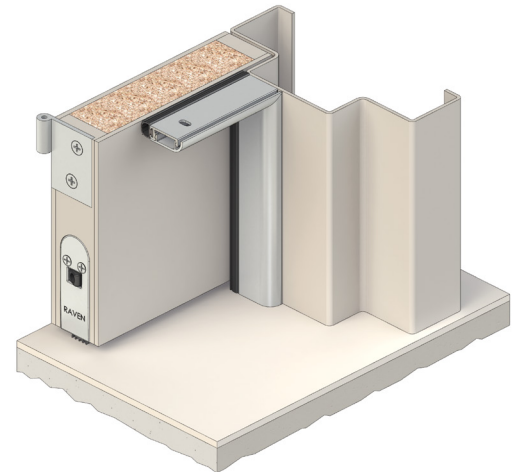
RP87Si RP128Si

H



RP93Si RP99Si

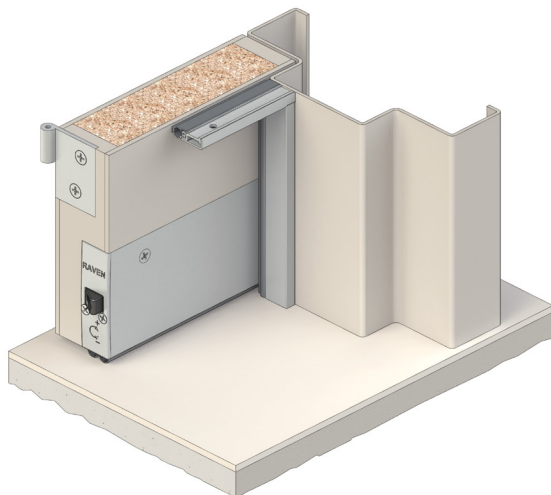
M



Perimeter seal adjustment independent of fixings

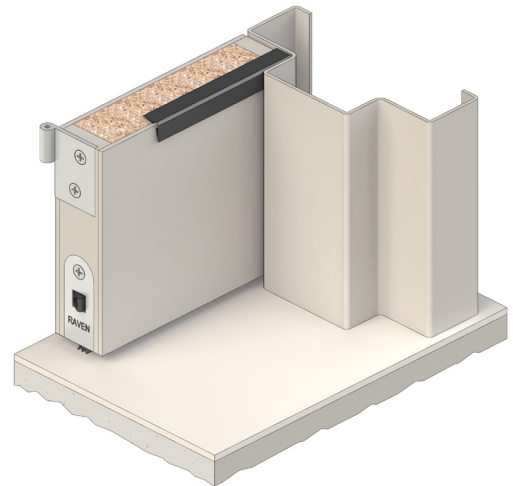
RP94Si RP126Si

M



RP120 / RP150 / RP124 RP8Si

M



Fire and Smoke