

RP128Si



An adjustable, automatic door bottom seal that is spring loaded to lift clear of the floor when the door is opened. Acoustically designed, featuring extruded silicon gaskets for medium temperature smoke applications, the RP128Si is operated automatically by pressure on the door stop by its adjustable strike. Utilising an aesthetic extruded aluminium cover for concealed fixing. It is self levelling.

Location: Face mounted to the bottom of single and double solid core butt hinged doors. RP128Si can also be face mounted to the bottom of metal doors.

Min/Max Gap: 3mm to 14mm.

Finish: Satin clear (silver), black anodised aluminium (15µm) or paint at extra cost.

Fixing: Concealed screw fix. Zinc plated, cross recess head S.T. screws supplied. Colour matched escutcheon plates and face mount aluminium angle included.

Seal: RP3126Si. Black silicon rubber (SE).

Sizes: 1500mm, 1220mm, 1070mm, 920mm, 820mm, 600mm to 305mm (min). Seals cut back to exact size.

Approvals

UL R37913.

Certifire CF 5710.

Acoustic AUS/NZ: NCC Spec. F5.5.
UK/EU: Approved Document E. Rated to BS EN ISO 717-1.

Fire AUS/NZ: NCC Spec. C3.4. AS1530.4 & AS/NZS 1905.1. NZ BC Compliance Doc. C/AS1 6.19.2 & App. C6.1.1.

FRL & FRR-/240/30.
Gasket flammability index 1 when tested to AS1530.2.

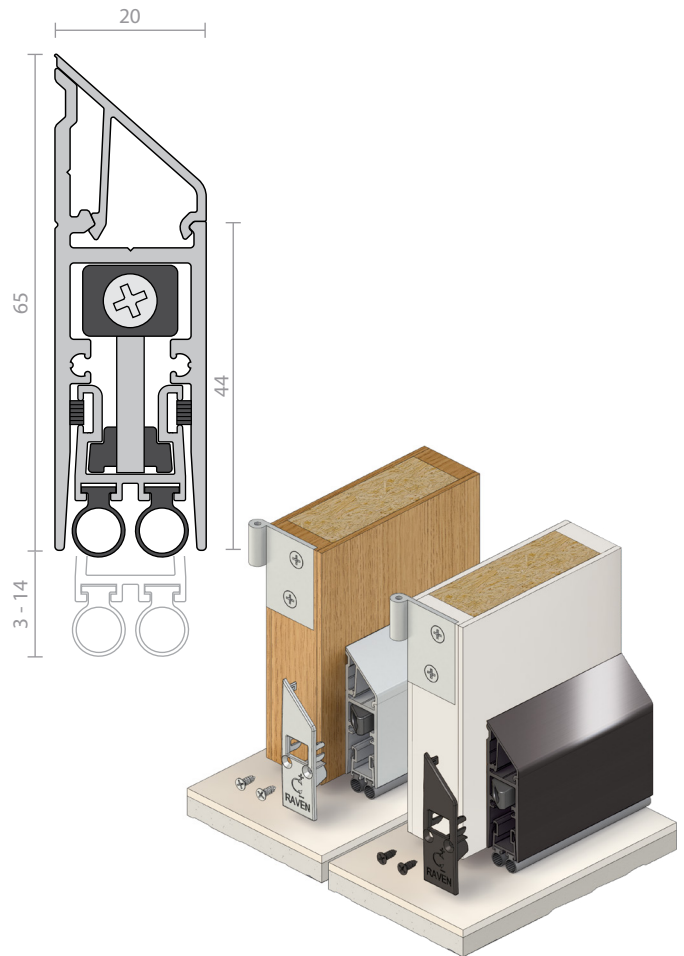
Smoke NCC Spec. C3.4. AS1530.7 & BS EN 1634-3. Meets smoke leakage rates specified in AS6905 & EN 13501-2 "Sa", "Sm".

Energy NCC Pt. 3.12.3.3 & J3.4.

Durability Tested to over 1,000,000 operating cycles without failure.

Insects/Vermin AS4674, 2.1.5(iv), 2.1.7.

Patented, Registered Design.



RP144Si



A concealed, automatic door bottom seal to suit medium temperature smoke and energy door seal applications.

RP144Si features twin silicon bulb gaskets and is spring loaded to lift clear of the floor as soon as the door leaf is opened by a few millimetres.

Mounted into the bottom hollow rail of metal doors, the seal is operated automatically by pressure against the door jamb on its adjustable strike block.

Location: Concealed in the bottom of single and double aluminium or metal clad butt hinged doors.

Min/Max Gap: 3mm to 12mm

Finish: Satin clear (silver) anodised aluminium (15µm).

Fixing: Concealed screw fix. Colour matched escutcheon plates and zinc plated, cross recess head S.T. screws supplied.

Seal: RP3126Si. Black silicon rubber (SE).

Sizes: 1350mm, 1220mm, 920mm to 600mm (min). Seals cut back to exact size.

Approvals

UL R37913.

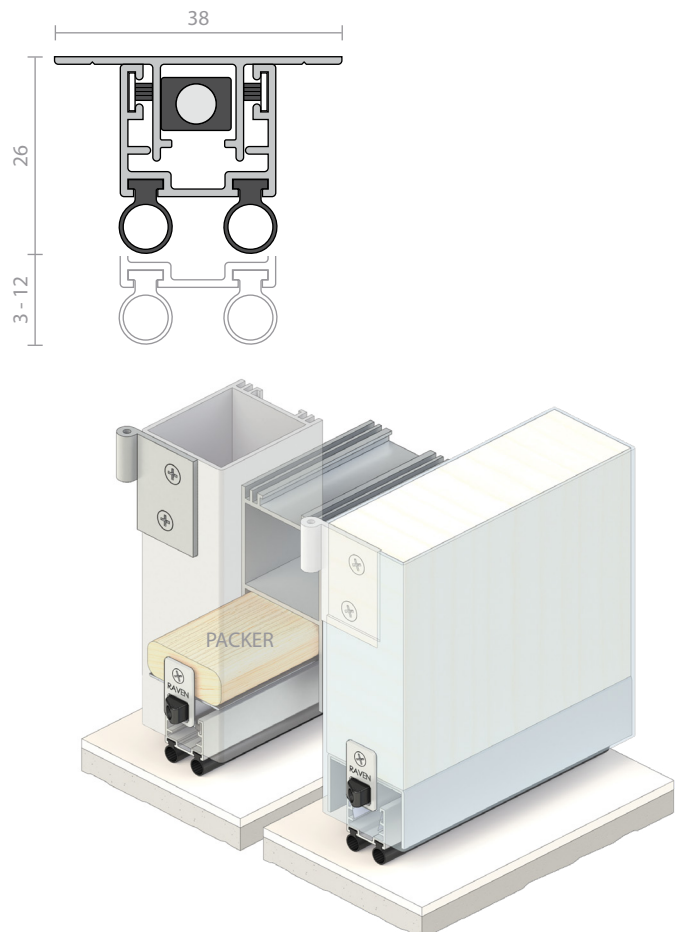
Fire Gasket flammability index 1 when tested to AS1530.2.

Smoke NCC Spec. C3.4 for smoke doors.

Energy NCC Pt. 3.12.3.3 & J3.4.

Durability Tested to over 1,000,000 operating cycles without failure.

Insects/Vermin AS4674, 2.1.5(iv), 2.1.7.



Door Bottom Seals