

## RP112



A medium duty threshold plate which can be positioned back to back to form a two way threshold ramp conforming to NCC Pt. D2.15 Thresholds (b).

Can be used in conjunction with Raven door bottom seals to prevent rain, draughts, noise and smoke infiltration.

Can also be used to provide a ramped frame for internal door mats and tiles.

**Location:** Door sill.

**Finish:** Satin clear (silver) or bronze anodised aluminium (25µm).

**Fixing:** Screw fix. Colour matched zinc plated, cross recess head CSK S.T. screws supplied.

**Sizes:** Available in stock lengths.

### Approvals

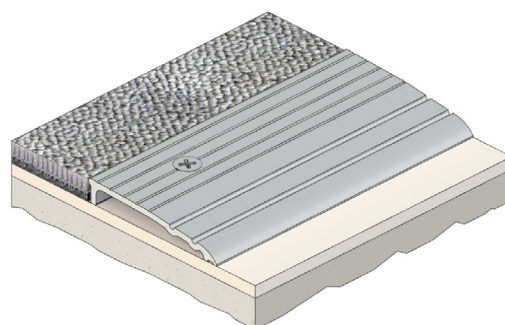
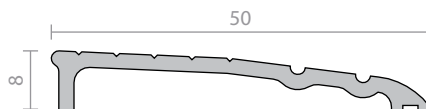
UL R37913

**Access & Mobility AUS/NZ:** NCC D2.15 & D3.3. AS1428.1. NZ BC Compliance Doc. D1/AS1 1.3.2.  
**UK/EU:** Approved Document M.

**Fire AUS/NZ:** NCC Spec. C3.4. AS1530.4 & AS/NZS 1905.1. NZ BC Compliance Doc. C/AS1 6.19.2(a) & App. C6.1.1.

**UK/EU:** Approved Document B. BS 476 Pt. 20 & 22 (similar to BS EN 1634-1).

**FRL & FRR-/240/30 and FD240.**   
BAL  $\leq$ FZ when used with a BAL rated door bottom seal in accordance with AS 3959.



## RP115, RP116



Low profile threshold plates that can be used in conjunction with Raven door bottom seals to prevent rain, draughts, noise and smoke infiltration. Suitable for use with most floor pivots.

**Location:** Door sill.

**Finish:** Satin clear (silver) or bronze anodised aluminium (25µm).

**Fixing:** Screw fix or builders adhesive for concealed fixing (user determined). Colour matched zinc plated, cross recess head CSK S.T. screws supplied.

**Sizes:** Available in stock lengths.

### Approvals

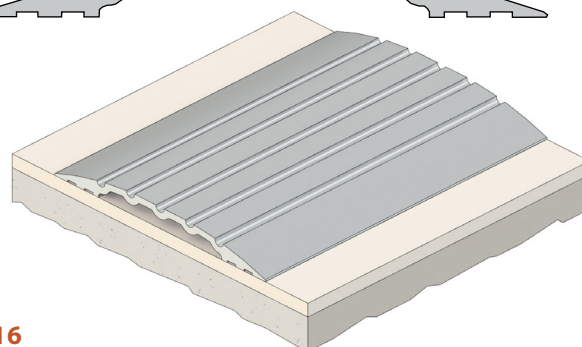
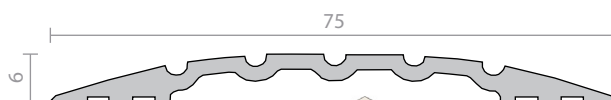
**Access & Mobility AUS/NZ:** NCC D2.15 & D3.3. AS1428.1. NZ BC Compliance Doc. D1/AS1 1.3.2.  
**UK/EU:** Approved Document M.

**Fire AUS/NZ:** NCC Spec. C3.4. AS1530.4 & AS/NZS 1905.1. NZ BC Compliance Doc. C/AS1 6.19.2(a) & App. C6.1.1.

**UK/EU:** Approved Document B. BS 476 Pt. 20 & 22 (similar to BS EN 1634-1).

**FRL & FRR-/240/30 and FD180.**   
BAL  $\leq$ FZ when used with a BAL rated door bottom seal in accordance with AS 3959.

### RP115



### RP116

