

## RP10Si



An effective acoustic and smoke door stop frame seal which is quick and easy to install on plain or rebated door frames. Multi-fin design for improved noise and energy sealing. The minimum deflection design creates maximum sealing efficiency. RP10Si can be mitred or butt jointed for a neat finish. Adjustable by large concealed fixing slots for a precision fit, RP10Si has a tamper resistant, rigid PVC cover strip (SE). Can be used on all four sides of the door to form a bulk head seal.

*Note: If fixing to rebated frames of single doors, specify a long backset door latch.*

**Location:** Head and jambs of single and double butt hinged doors.

**Min/Max Gap:** 0mm to 10mm.

**Finish:** Satin clear (silver), bronze or black anodised aluminium (15µm) or paint at extra cost.

**Fixing:** Screw fix. Zinc plated, cross recess head S.T. screws supplied.

**Seal:** RP310Si. Black or light grey silicon rubber (SE).

**Sizes:** Available in door set sizes or stock lengths.

### Approvals

UL R37913.

Certifire CF 5710.

ANSI/BHMA A156.22.

**Acoustic AUS/NZ:** NCC Spec. F5.5.

**UK/EU:** Approved Document E. Rated to BS EN ISO 717-1.

**Fire AUS/NZ:** NCC Spec. C3.4.

AS1530.4 & AS/NZS 1905.1. NZ BC Compliance Doc. C/AS1 6.19.2 & App. C6.1.1.

**UK/EU:** Approved Document B.

BS 476 Pt. 20 & 22 (similar to BS EN 1634-1).

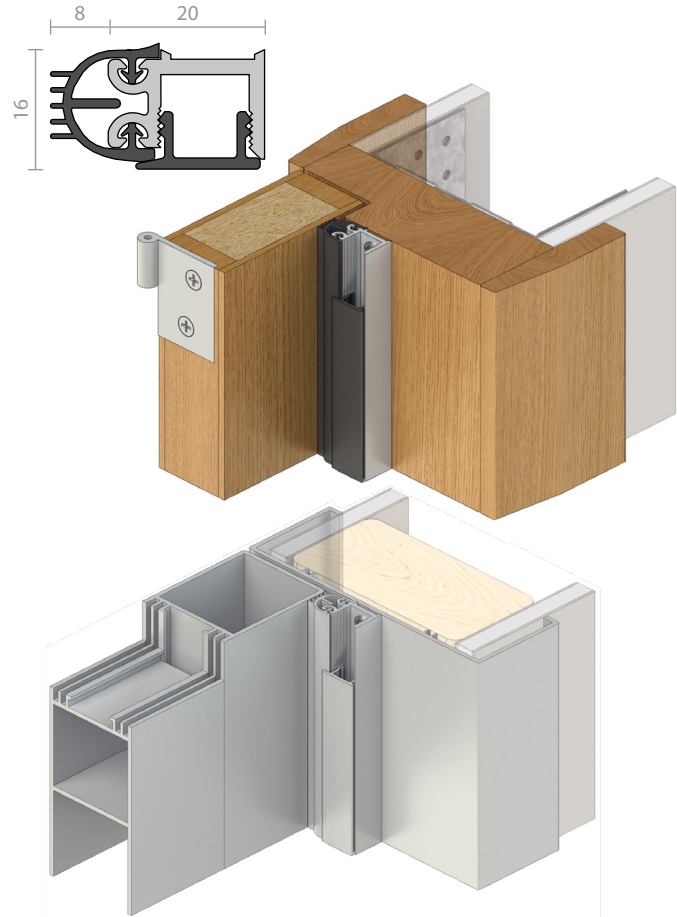
**FRL & FRR-/240/60 and FD240.** 🔥

Gasket flammability index 1 when tested to AS1530.2.

**Smoke** NCC Spec. C3.4. AS1530.7 & BS EN 1634-3. Meets smoke leakage rates specified in AS6905 & EN 13501-2 "Sa", "Sm".

**Energy** NCC Pt. 3.12.3.3 & J3.4.

**Registered Design.**



## RP12



The RP12 has a woven pile weather strip with unique Quiet-fins for noise protection. Ideal for sliding doors and designed to limit noise leakage and control dust and air movement. The RP12 is quick and easy to install to the door or frame.

Can be used in conjunction with a double row of RP2 seals fitted into grooves in the door bottom edge or face mount RP74 to achieve a complete sealing system.

**Location:** Head and jambs of door frames.

**Min/Max Gap:** 6mm to 8mm (prior to installation).

**Finish:** Satin clear (silver), bronze anodised aluminium (15µm) or paint at extra cost.

**Fixing:** Concealed screw fix. Zinc plated, cross recess head S.T. screws and cover strip supplied. Fixing holes are pre-slotted to allow the seals to be fitted accurately and adjustment to be made for building movement.

**Seal:** Black polypropylene pile with felt weather fins.

**Sizes:** Available in stock lengths.

### Approvals

**Energy** NCC Pt. 3.12.3.3 & J3.4.

